

Precision Electronics Diagonal Cutters

DIN ISO 9654

79

- > precision pliers for ultra fine cutting work in electronics and fine mechanics
- > very precisely ground and sharp cutting edges with very small bevels for precise cutting work on small electronic components
- > cutting edge hardness (approx. 64 HRC)
- > approx. 20% lighter than conventional electronics pliers
- > bolted joint with carefully manufactured joint surfaces for even, low-friction movement throughout the entire opening range
- > double spring for a gentle and even opening
- > ergonomically optimized handle covers
- > ball bearing chrome steel; forged, multi stage oil-hardened

79 02 120

Mini-head

79 02 125

Round head

79 12 125

Specifically for cutting through hard wire and piano wire

79 22 120

Mini-head

79 22 125

Round head

79 32 125

Pointed head

79 42 125

Pointed head

79 52 125

Pointed head; with lead catcher – no uncontrolled loss of cut wire ends

79 62 125

Pointed head; with lead catcher – no uncontrolled loss of cut wire ends



Cut with
79 42 125
(without bevel)

Cut with
79 42 125 Z
(flush cut)



79 02 120



79 02 125



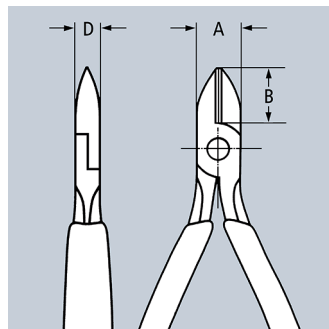
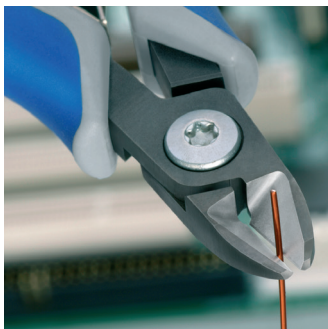
79 22 120



79 22 125



79 32 125



The Subtle Difference

KNIPEX precision electronics pliers are made of high-quality ball bearing steel and processed with the highest degree of care. Each opening movement is gentle and even without backlash. Each work step proceeds reliably and precisely. This makes work much easier for professionals.

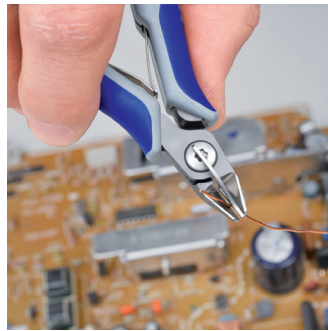
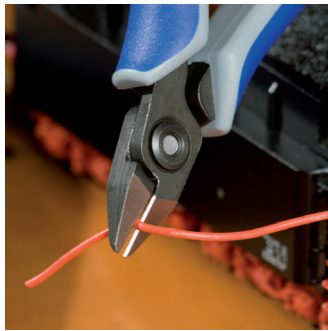
Sets of pliers can be found on page 203



79 42 125



79 42 125 Z



Product Number	Packaging	↔ Inch mm		Pliers	Head	Handles	Cutting capacities				Dimensions			⚖ lbs
							⊘ Inch Ø mm	⊘ Inch Ø mm	⊘ Inch Ø mm	⊘ Inch Ø mm	A Inch mm	B Inch mm	D Inch mm	
79 02 120		4 3/4 120		burnished	polished	multi-component grips	1/64 - 1/16 0.2 - 1.4	3/64 1.0	1/64 0.2	-	23/64 9.0	1/4 6.5	1/4 6.5	0.13
79 02 125		5 125		burnished	polished	multi-component grips	1/64 - 5/64 0.2 - 1.2	3/64 1.3	1/32 0.7	-	7/16 11.0	25/64 10.0	1/4 6.5	0.13
79 12 125		5 125		burnished	polished	multi-component grips	1/64 - 5/64 0.3 - 1.2	3/64 1.3	3/64 1.0	1/64 0.2	7/16 11.0	25/64 10.0	1/4 6.5	0.13
79 22 120		4 3/4 120		burnished	polished	multi-component grips	1/64 - 3/64 0.1 - 1.3	1/32 0.8	-	-	23/64 9.0	1/4 6.5	1/4 6.5	0.13
79 22 125		5 125		burnished	polished	multi-component grips	1/64 - 5/64 0.1 - 1.2	3/64 1.0	-	-	7/16 11.0	25/64 10.0	1/4 6.5	0.13
79 32 125		5 125		burnished	polished	multi-component grips	1/64 - 1/16 0.2 - 1.5	3/64 1.1	1/64 0.2	-	7/16 11.0	7/16 11.0	1/4 6.5	0.13
79 42 125		5 125		burnished	polished	multi-component grips	1/64 - 1/16 0.1 - 1.5	1/32 0.8	-	-	7/16 11.0	7/16 11.0	1/4 6.5	0.13
79 42 125 Z		5 125		burnished	polished	multi-component grips	up to 1/64 up to 0.2	-	-	-	7/16 11.0	7/16 11.0	1/4 6.5	0.13
79 52 125		5 125		burnished	polished	multi-component grips	1/64 - 1/16 0.2 - 1.7	1/32 0.9	1/64 0.5	-	7/16 11.0	7/16 11.0	1/4 6.5	0.13
79 62 125		5 125		burnished	polished	multi-component grips	1/64 - 1/16 0.1 - 1.7	1/32 0.8	-	-	7/16 11.0	7/16 11.0	1/4 6.5	0.13