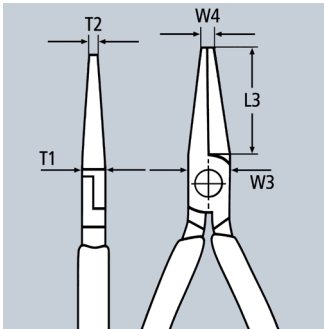


## Relay Adjusting Pliers

DIN ISO 5743

32

- > perfect for gripping small wires and bending contact and relay springs
- > polished gripping surfaces
- > smooth edges
- > high-grade special tool steel; forged, oil-hardened



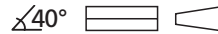
32 11 135



32 21 135



32 31 135



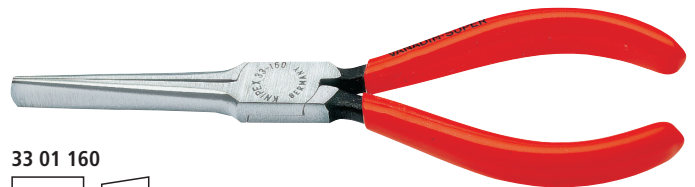
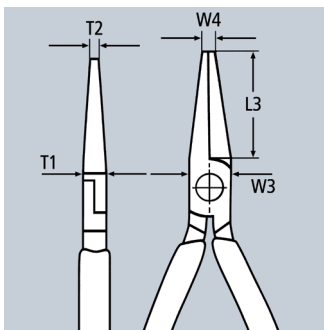
Product Number	Packaging	↔ Inch mm	Pliers	Head	Handles	Dimensions					⚖ lbs	
						L3 Inch mm	W3 Inch mm	T1 Inch mm	W4 Inch mm	T2 Inch mm		
32 11 135		5 1/4 135		black atramentized	polished	plastic coated	1 11/32 34.0	31/64 12.5	9/32 7.0	1/16 1.4	1/16 1.5	0.17
32 21 135		5 1/4 135		black atramentized	polished	plastic coated	1 11/32 34.0	31/64 12.5	9/32 7.0	1/16 1.4	9/64 3.5	0.16
32 31 135		5 1/4 135		black atramentized	polished	plastic coated	1 1/4 32.0	31/64 12.5	9/32 7.0	1/16 1.4	9/64 3.5	0.16

## Duckbill Pliers

DIN ISO 5743

33

- > duckbill shaped jaws 23/64" (9.0 mm) wide at the tip and tapering to 1/16" (1.5 mm) thickness
- > smooth gripping surfaces
- > chrome vanadium electric steel; forged, oil-hardened



33 01 160



Product Number	Packaging	↔ Inch mm	Pliers	Head	Handles	Dimensions					⚖ lbs	
						L3 Inch mm	W3 Inch mm	T1 Inch mm	W4 Inch mm	T2 Inch mm		
33 01 160	X	6 1/4 160		black atramentized	polished	plastic coated	2 11/64 55.0	19/32 15.0	19/64 7.5	1/8 3.0	23/64 9.0	0.23