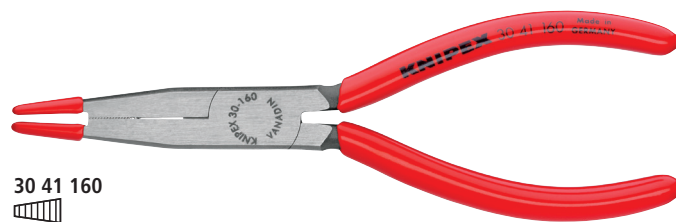


Halogen Bulb Exchange Pliers

30
41

- > for the installation of wedge bulb lamps
- > plastic coated gripping surfaces
- > chrome vanadium electric steel; forged, oil-hardened



30 41 160



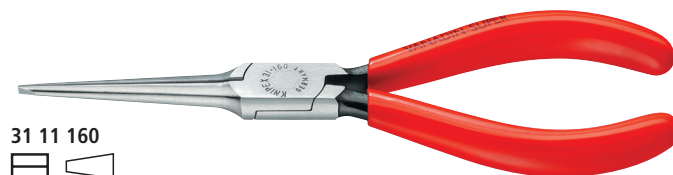
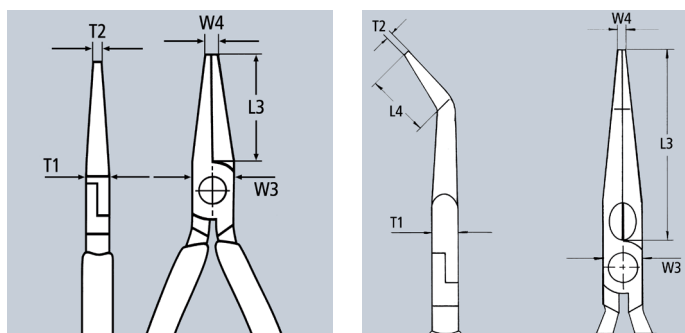
Product Number	Packaging	↔ Inch mm		Pliers	Head	Handles	⚖ lbs
30 41 160		6 1/4 160		black atramentized	polished	plastic coated	0.29

Gripping Pliers

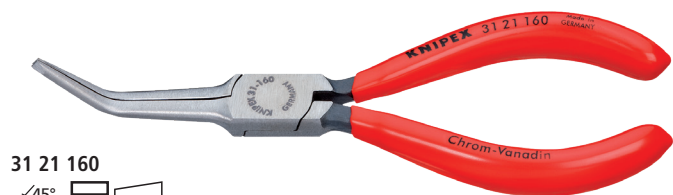
Needle Nose Pliers, DIN ISO 5743

31

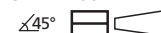
- > precision pliers for assembly, bending and adjusting work
- > with extra-long jaws: length of jaws 2 11/64" (55.0 mm)
- > smooth gripping surfaces and edges
- > chrome vanadium electric steel; forged, oil-hardened



31 11 160



31 21 160



Product Number	Packaging	↔ Inch mm		Pliers	Head	Handles	Dimensions						⚖ lbs
							L3 Inch mm	L4 Inch mm	W3 Inch mm	T1 Inch mm	W4 Inch mm	T2 Inch mm	
31 11 160		6 1/4 160		black atramentized	polished	plastic coated	2 11/64 55.0	-	5/8 16.0	19/64 7.5	5/64 1.8	3/32 2.5	0.22
31 21 160		6 1/4 160	∠45°	black atramentized	polished	plastic coated	2 11/64 55.0	1 1/16 27.0	5/8 16.0	19/64 7.5	5/64 1.8	3/32 2.5	0.21